



TEAMWORKGLOBAL

BESPOKE CERAMIC TILES

CUSTOM TILES



Contents

01
Fluted Shapes _06

02
Rounded Shapes _20

03
Listelli | Flat Shapes _26

04
3-D Shapes _30

Our Work

Crafting Bespoke Ceramic Tiles Since 1999

With unparalleled artistry and technical precision, we offer tailored ceramic solutions that breathe life into your design concept. Our collaborative approach ensure that each project receives the attention it deserves, resulting in personalized ceramic floor, wall, and facade coverings that exude elegance and unparalleled craftsmanship.

Teamworkglobal is the culmination of our rich heritage in restoration services and our passion for crafting bespoke ceramic surfaces. For over 20 years, we have specialized in restoring heritage-protected facades, faithfully reproducing ceramic and clinker tiles and mosaics. Today, we harness this expertise to create unique ceramic coverings for commercial, hotel and luxury residential interiors, as well as external facades.

We embrace the fusion of creativity and innovation, utilizing cutting-edge technologies and advanced production processes. This allows us to push the boundaries of ceramic design, delivering surfaces that captivate the imagination while maintaining exceptional quality and durability.

Teamworkglobal invites you to embark on a journey of design excellence with bespoke ceramic masterpieces. Let us transform your spaces with our impeccable craftsmanship and unrivalled passion for ceramic artistry.



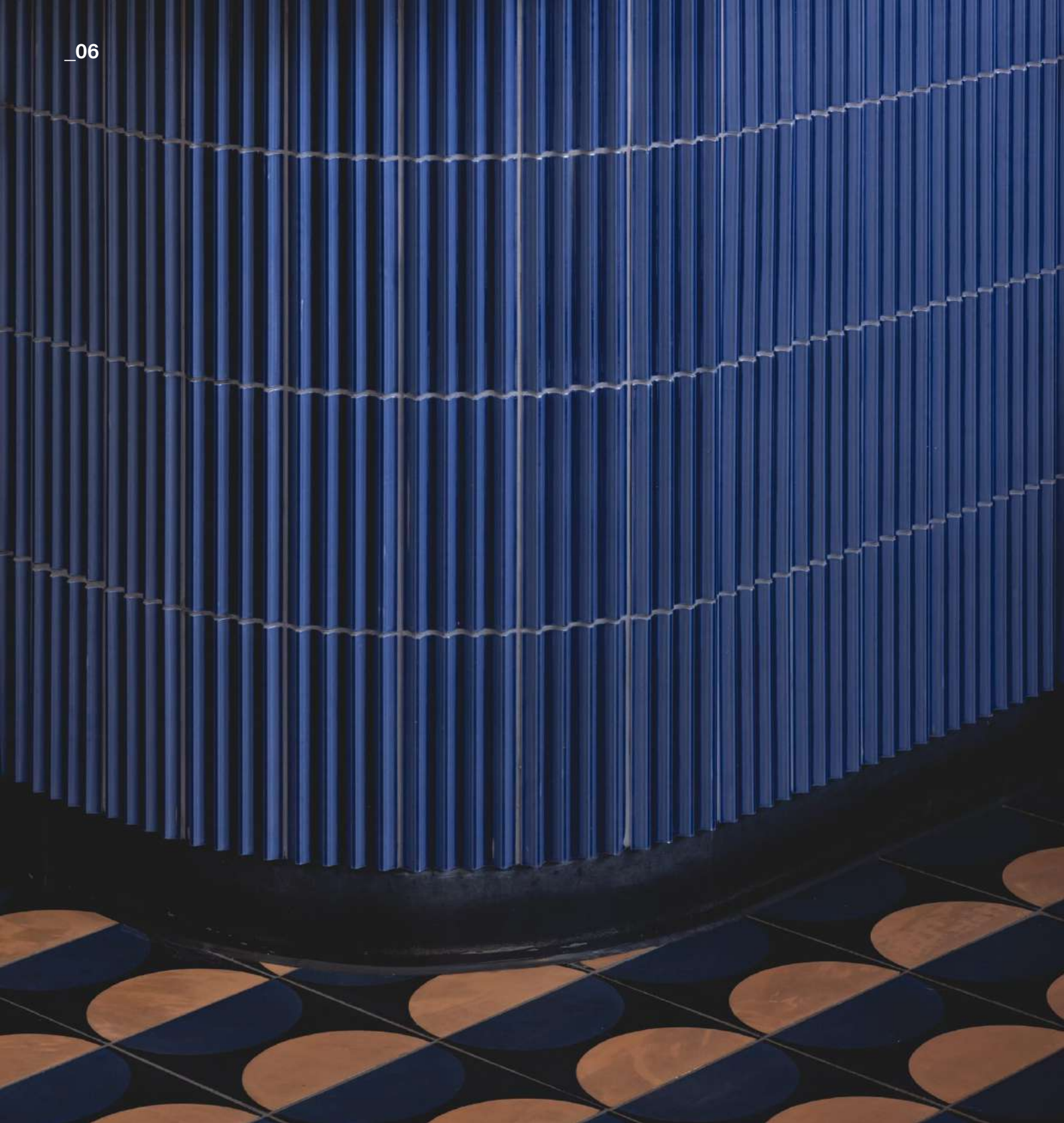
Our Commitment to Sustainability

At Teamworkglobal, sustainability is not just a principle; it's ingrained in the very essence of our bespoke tile production. Unlike mass production, our commitment to creating unique, tailor-made tiles reflects our dedication to a sustainable future. Each bespoke piece is a testament to our belief that customization and sustainability can go hand in hand.

We take pride in our Environmental Product Declaration (EPD), which transparently outlines the environmental impact of our products, showcasing our commitment to accountability and responsible practices.

Furthermore, our sustainability journey goes beyond customization. The clay mix we use in crafting our tiles is a blend that includes up to 50% recycled materials. This deliberate choice reduces the demand for virgin resources and minimizes the ecological footprint of our products. By incorporating recycled content into our clay mix, we not only contribute to waste reduction but also prioritize circular economy practices. Our bespoke tiles, therefore, stand as not just aesthetic additions to your space but as eco-conscious statements, embodying a harmonious blend of personalization and sustainable innovation.





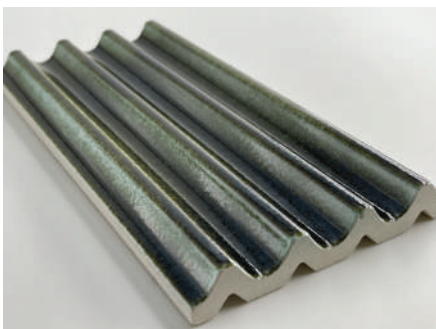
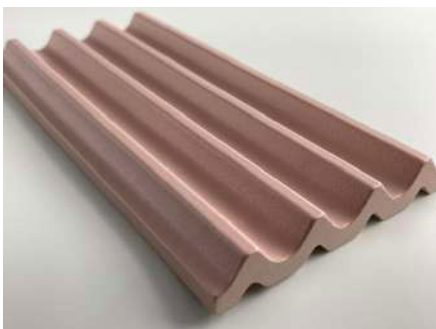
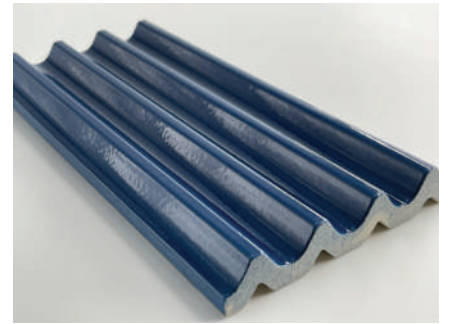
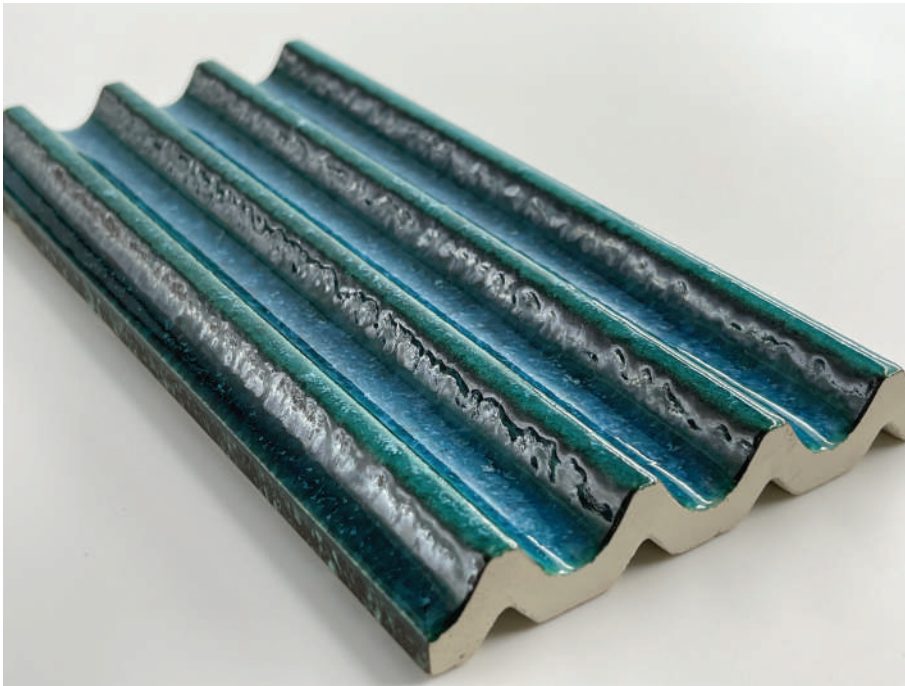
Fluted Shapes

Fluted ceramic tiles are characterized by a smooth rippled surface. Perfect design walls (frequently used for covering elegant bathroom walls) and bar front with sinuous flutes, multi-faceted patterns and elegant reliefs. Tiles can be overlapped to create continuous surfaces. Suitable for indoor and outdoor use, the tiles add a sense of movement through the introduction of their 3D surfaces profile, playing with shadow, light and tactility.

Fluted tiles are in accordance with hand-crafted technique which makes the material heterogeneous, both in the effects on the surface in the dimension of the pieces. Each tile is bespoke and made in Italy. Custom colours, textures and effects are available.

Material: stoneware | earthenware

The images serve as examples. Our primary focus is on bespoke work, offering customization in RAL colors, textures, and effects

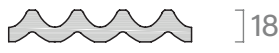




Classic | C#1



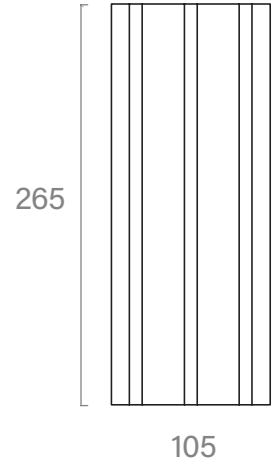
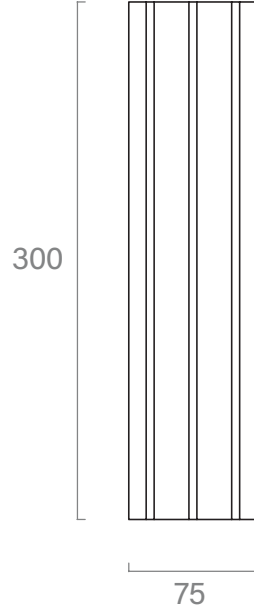
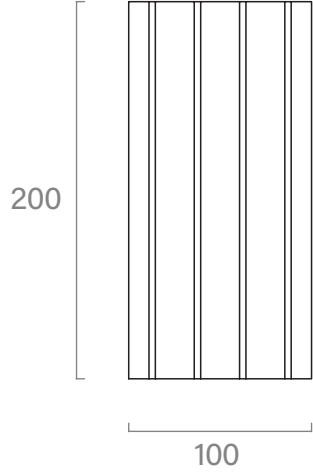
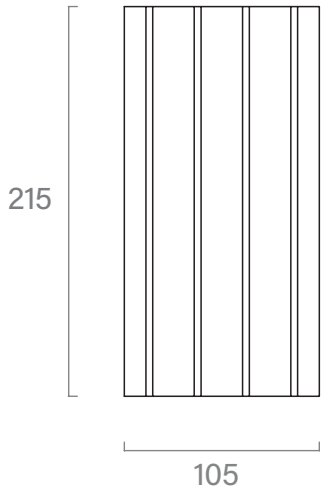
Classic | C#2

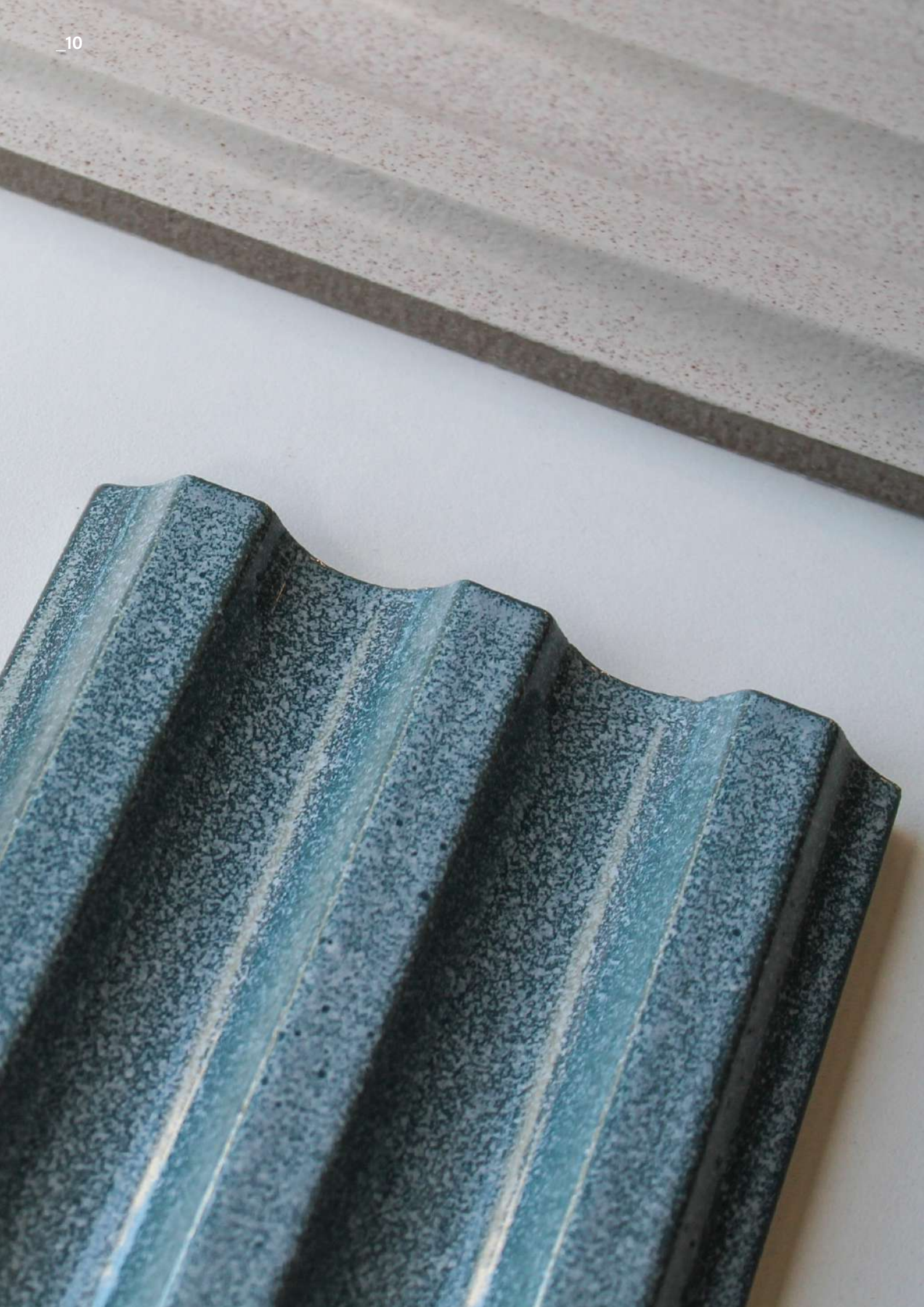


Classic | C#3

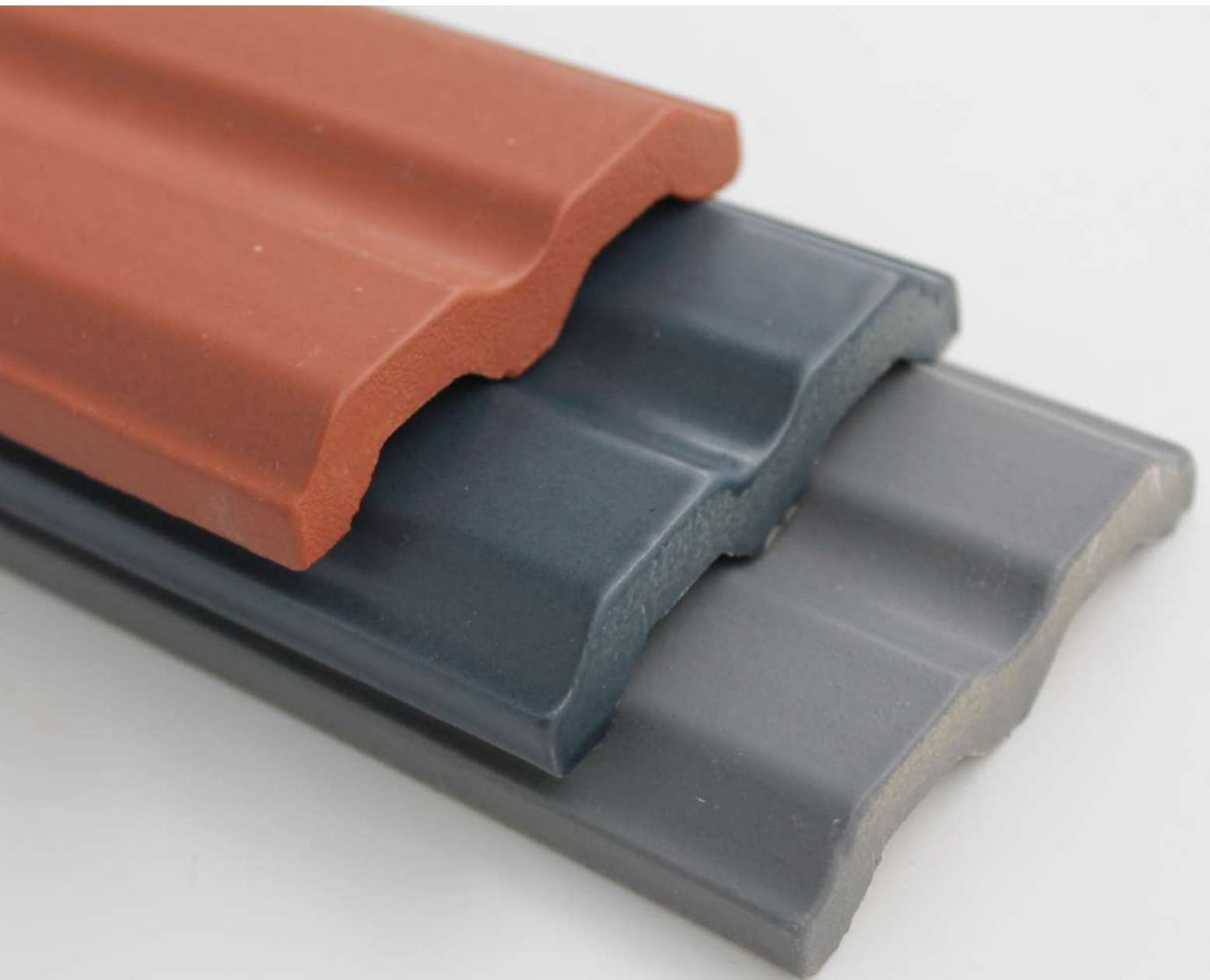
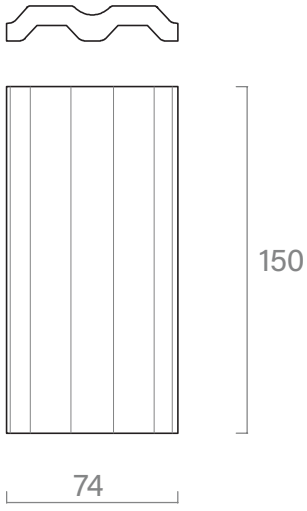


Classic | C#4



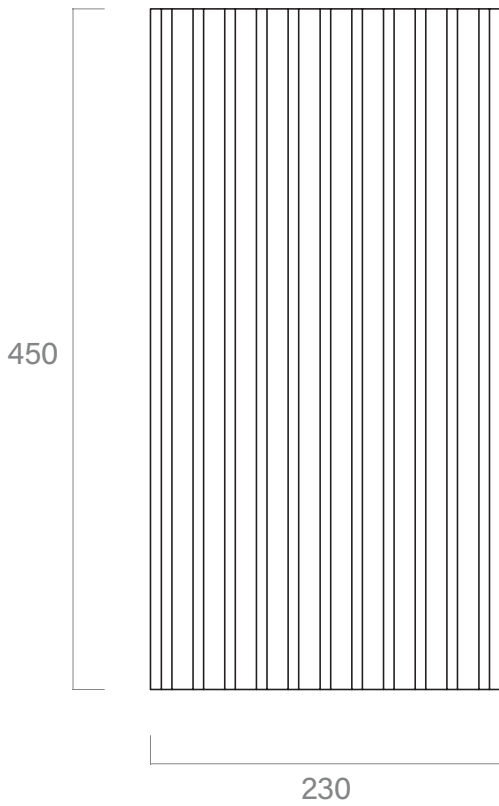


Double | D#1

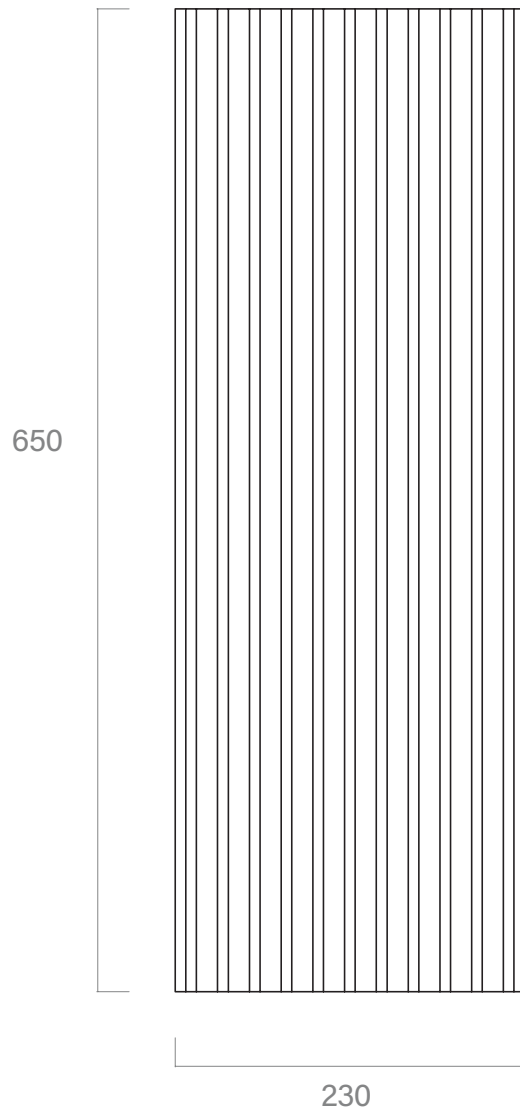




Large | L#1



Large | L#2

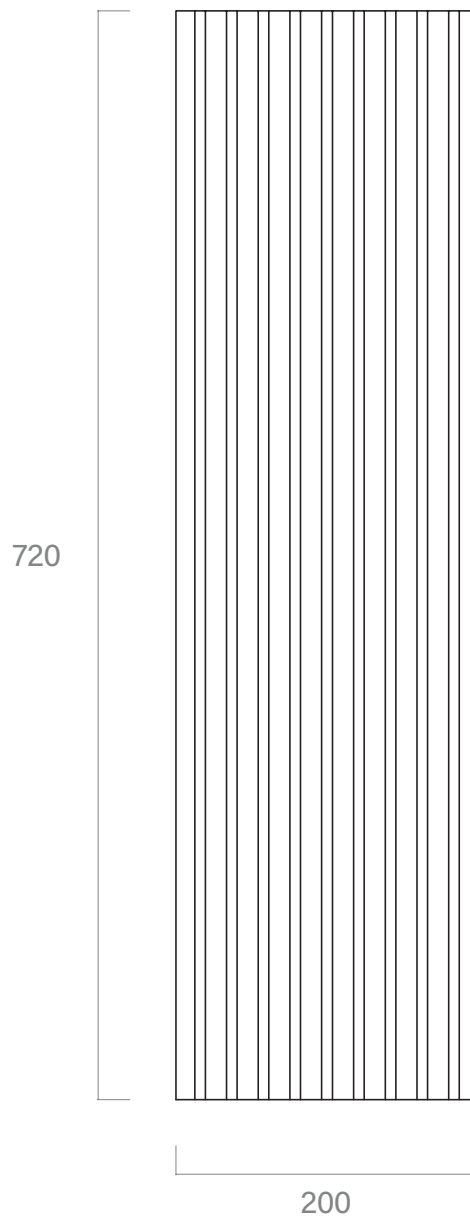
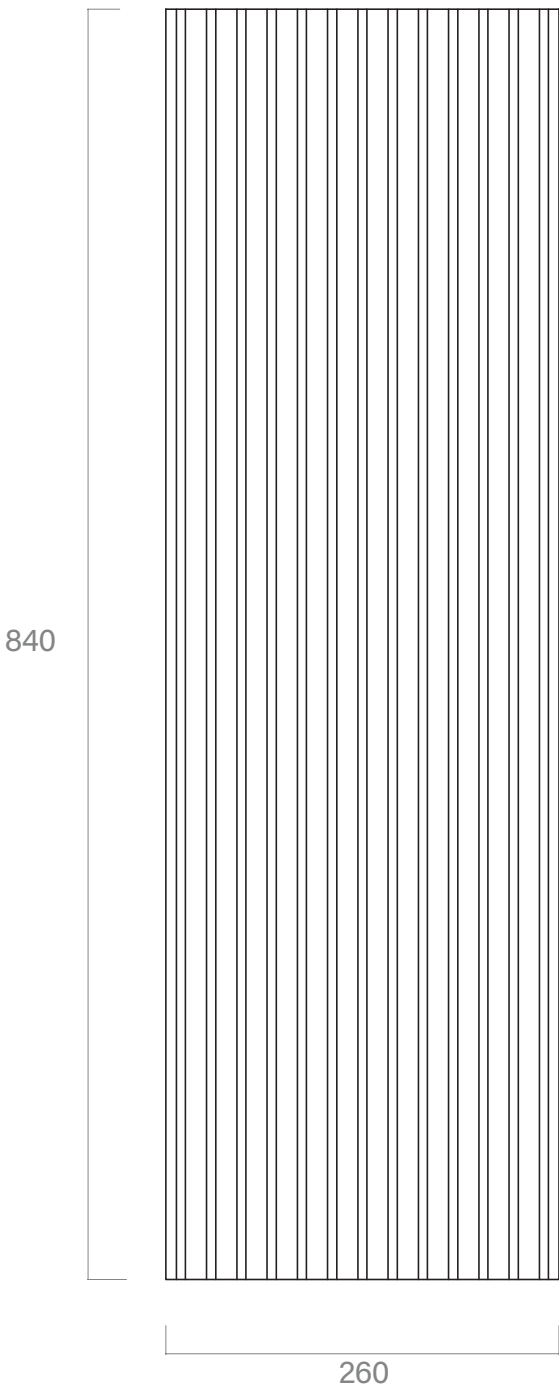




Large | L#3

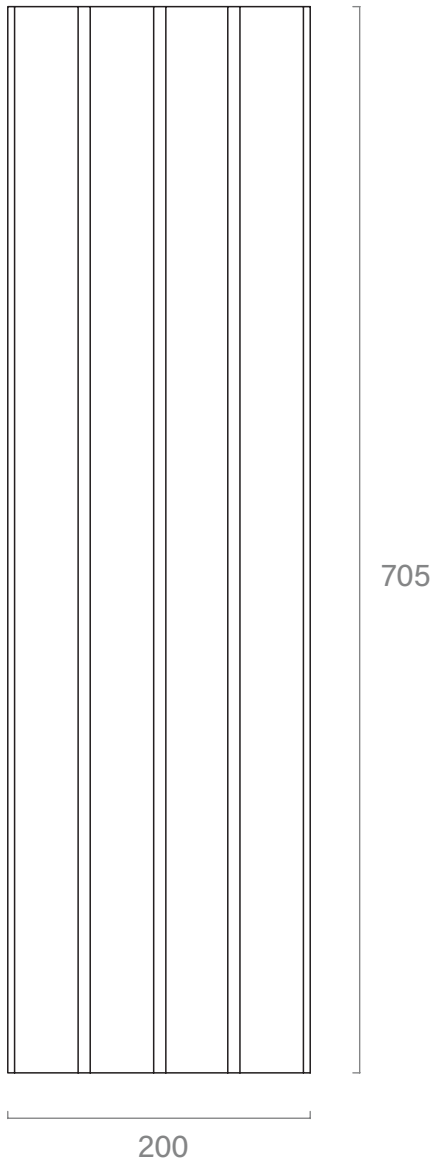
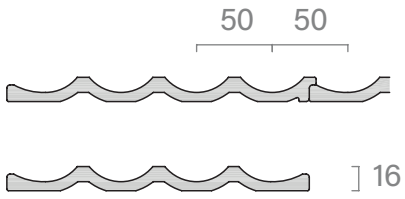


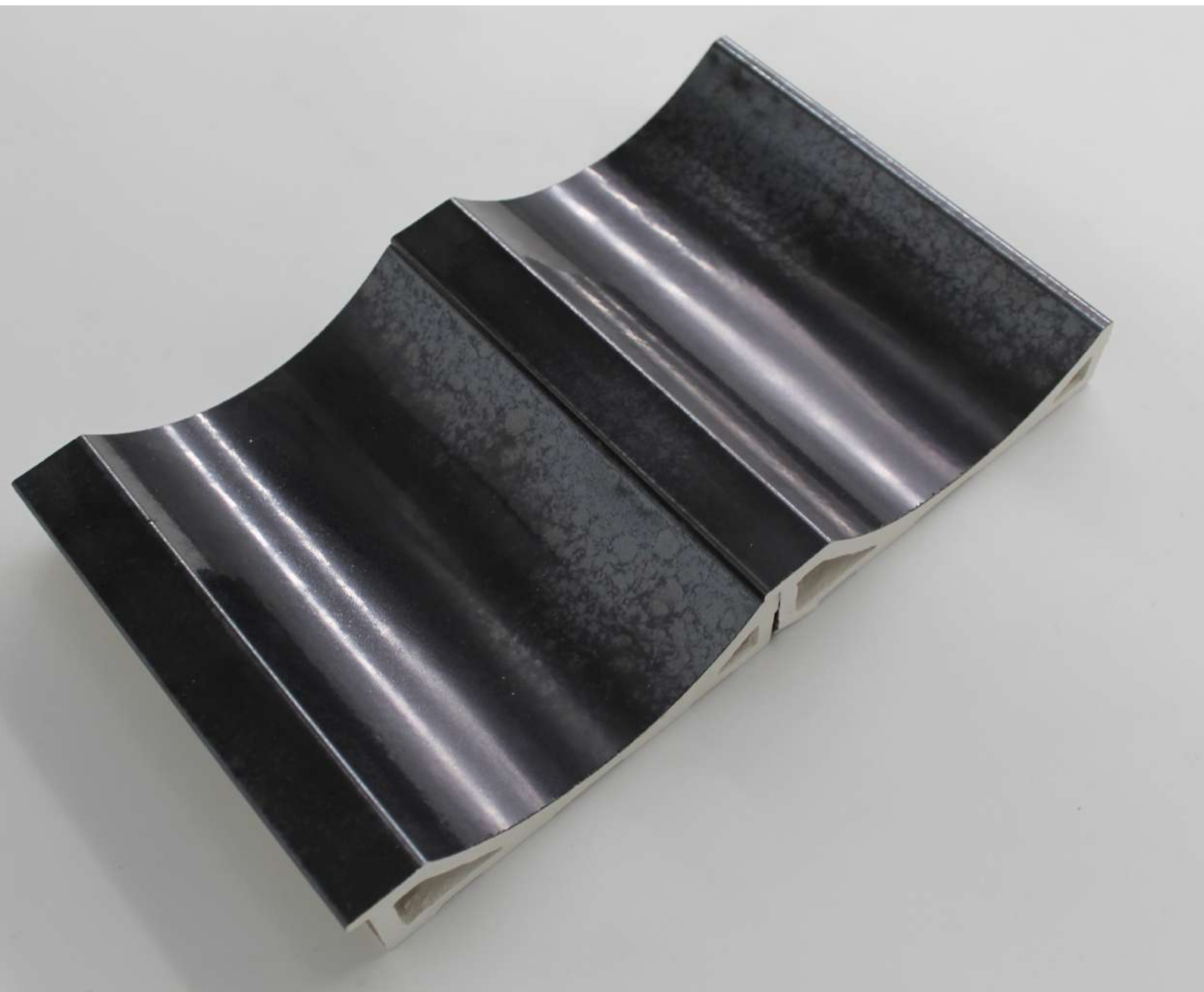
Large | L#4



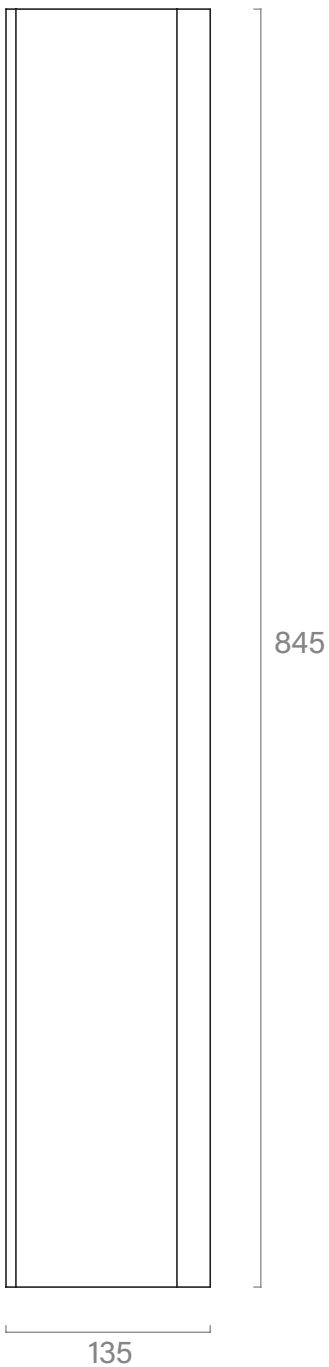
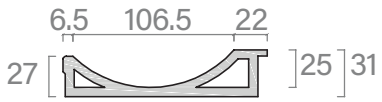


Wave | W#1





Wave | W#2





Rounded Shapes

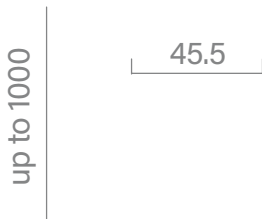
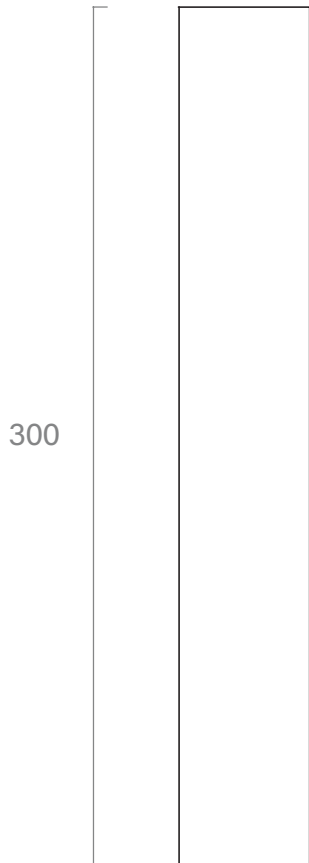
Rounded tiles are characterized by a smooth rippled surface. Perfect to design interior walls and bar front with sinuous flutes, multi-faced patterns and elegant reliefs. These tiles add a sense of movement through the introduction of 3D surfaces profile, playing with shadow, light and tactility. The tiles are produced in accordance with a hand crafted technique which makes the material heterogeneous, both in the effects on the surface and in the dimension of the pieces.

Each tile is bespoke and made in Italy. Custom colours, textures and effects are available.

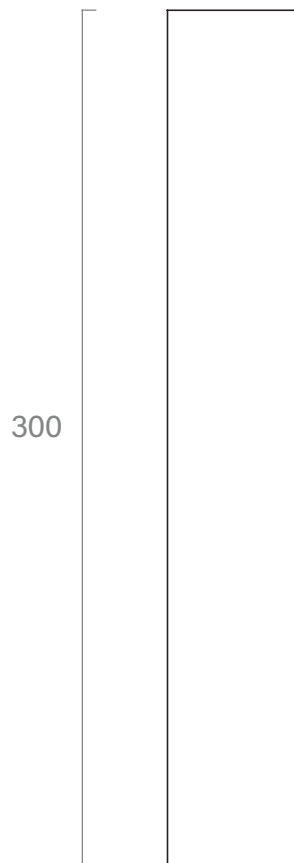
Material: stoneware | earthenware



Rounded | R#1



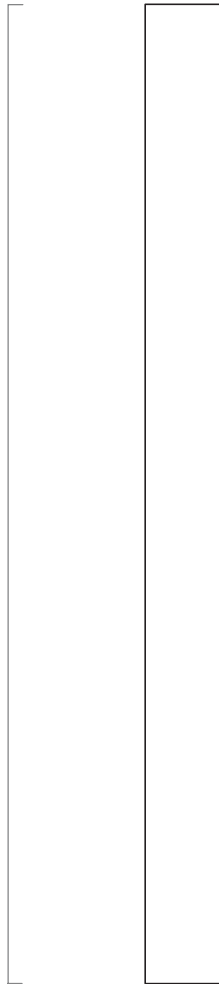
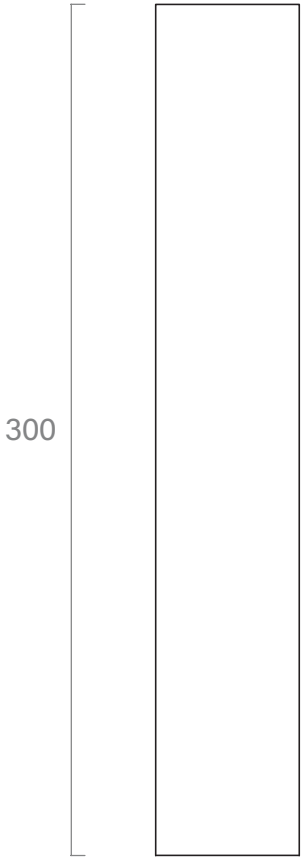
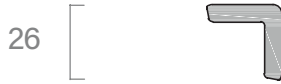
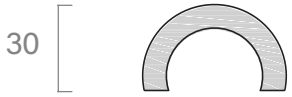
Rounded | R#2





Rounded | R#3

Angled | A#1



up to 1000

up to 1000





Listelli/Flat Shapes

Flat ceramic tiles (listelli) are suitable for design walls and floors, indoor and outdoors use. Listelli tiles are produced in accordance with a hand crafted technique which makes the material heterogeneous, both in the effects on the surface and in the dimension of the pieces.

Each tile is bespoke and made in Italy. Custom colours, textures and effects are available.

Material: stoneware | earthenware

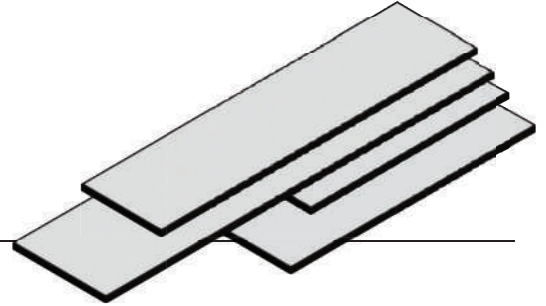
THIRD SPACE



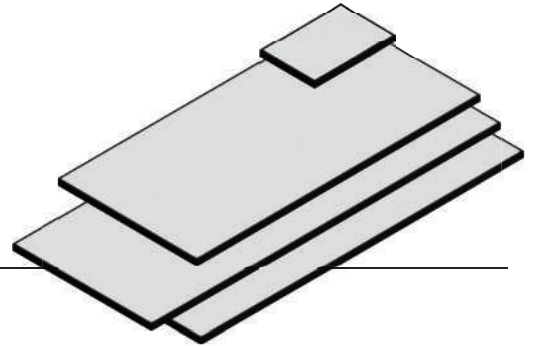


The images serve as examples. Our primary focus is on bespoke work, offering customization in RAL colors, textures, and effects.

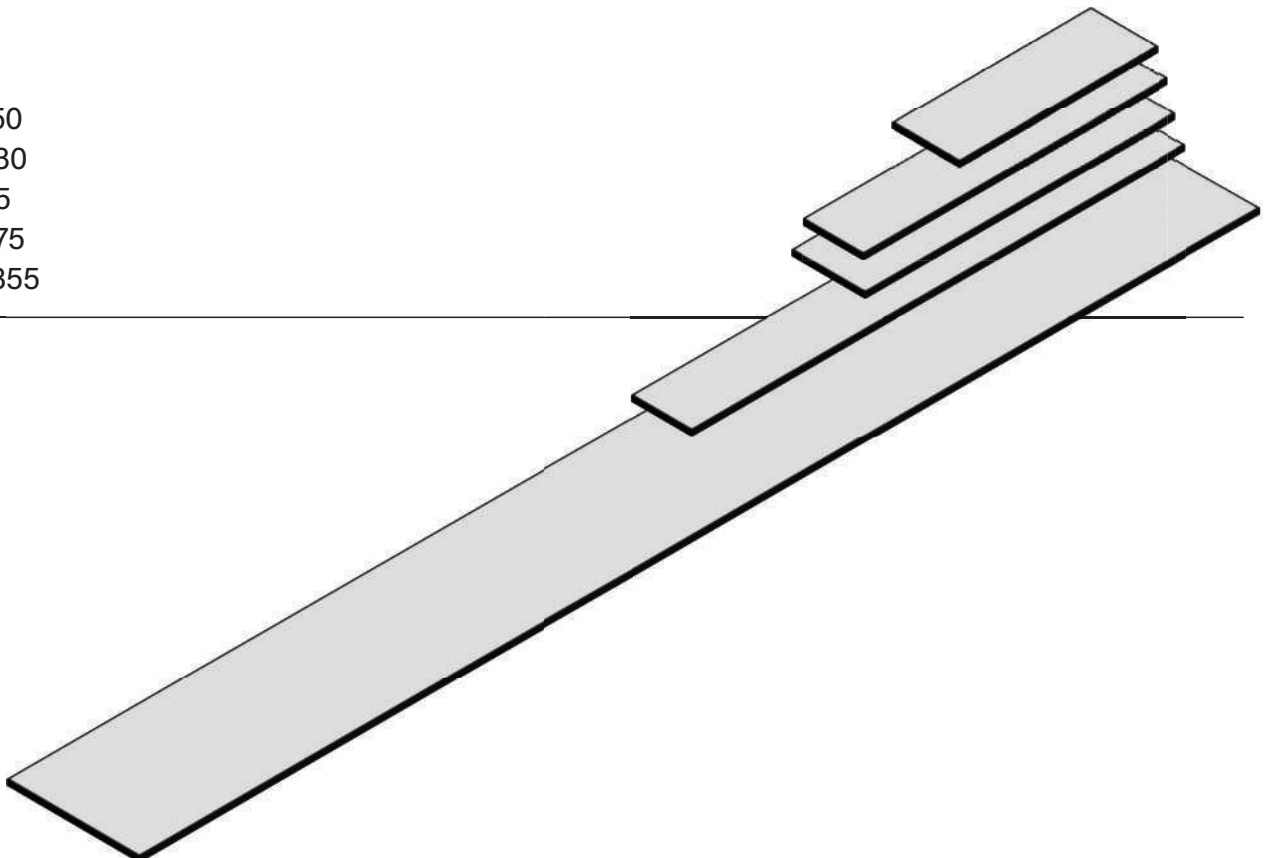
mm 75x150
mm 93x186
mm 60x240
mm 70x295



mm 40x60
mm 105x215
mm 120x245
mm 105x265



mm 50x150
mm 45x230
mm 55x35
mm 45x375
mm 100x855





3D Shapes

3D shapes are suitable for design walls for indoor and outdoor use. Bespoke tiles are produced in accordance with a hand crafted technique which makes the material heterogeneous, both in the effects on the surface and in the dimension of the pieces.

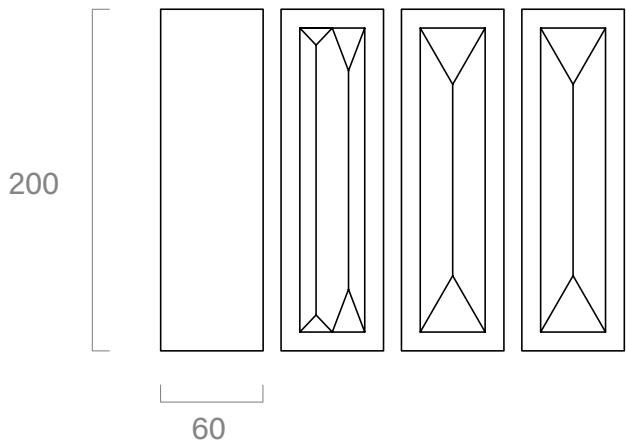
Each tile is bespoke and made in Italy. Custom colours, textures and effects are available.

Material: stoneware | earthenware

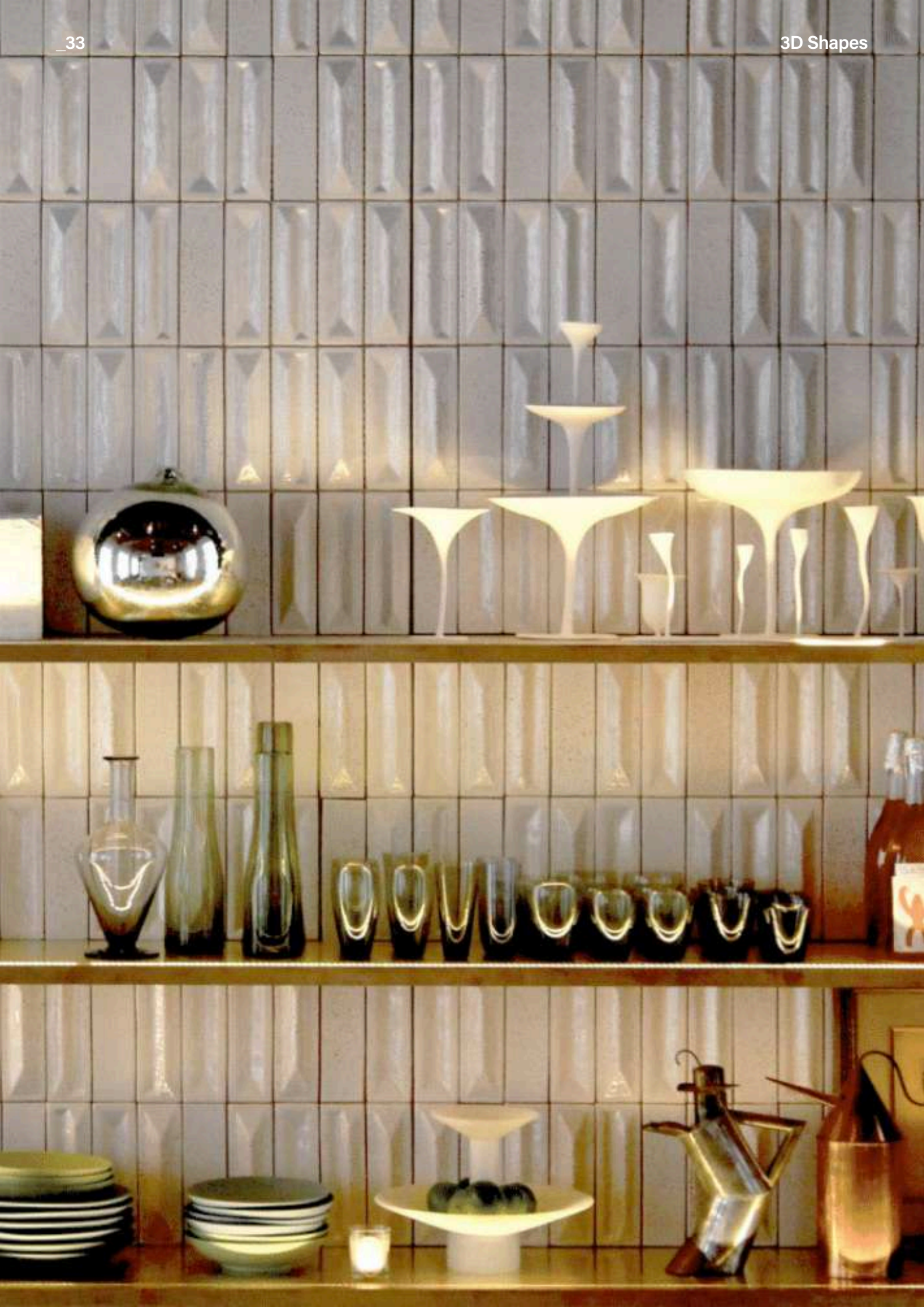
3D Sh | #1



14 □





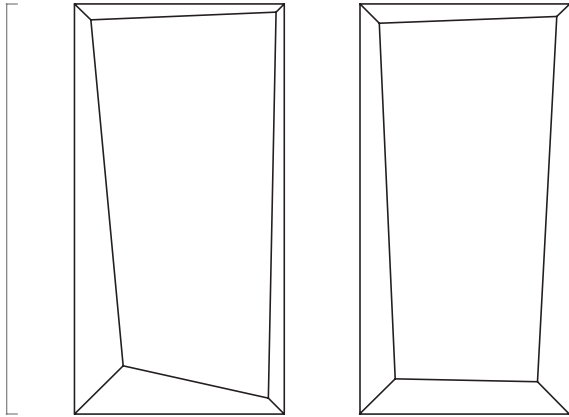


3D Sh | #2

14 |



180

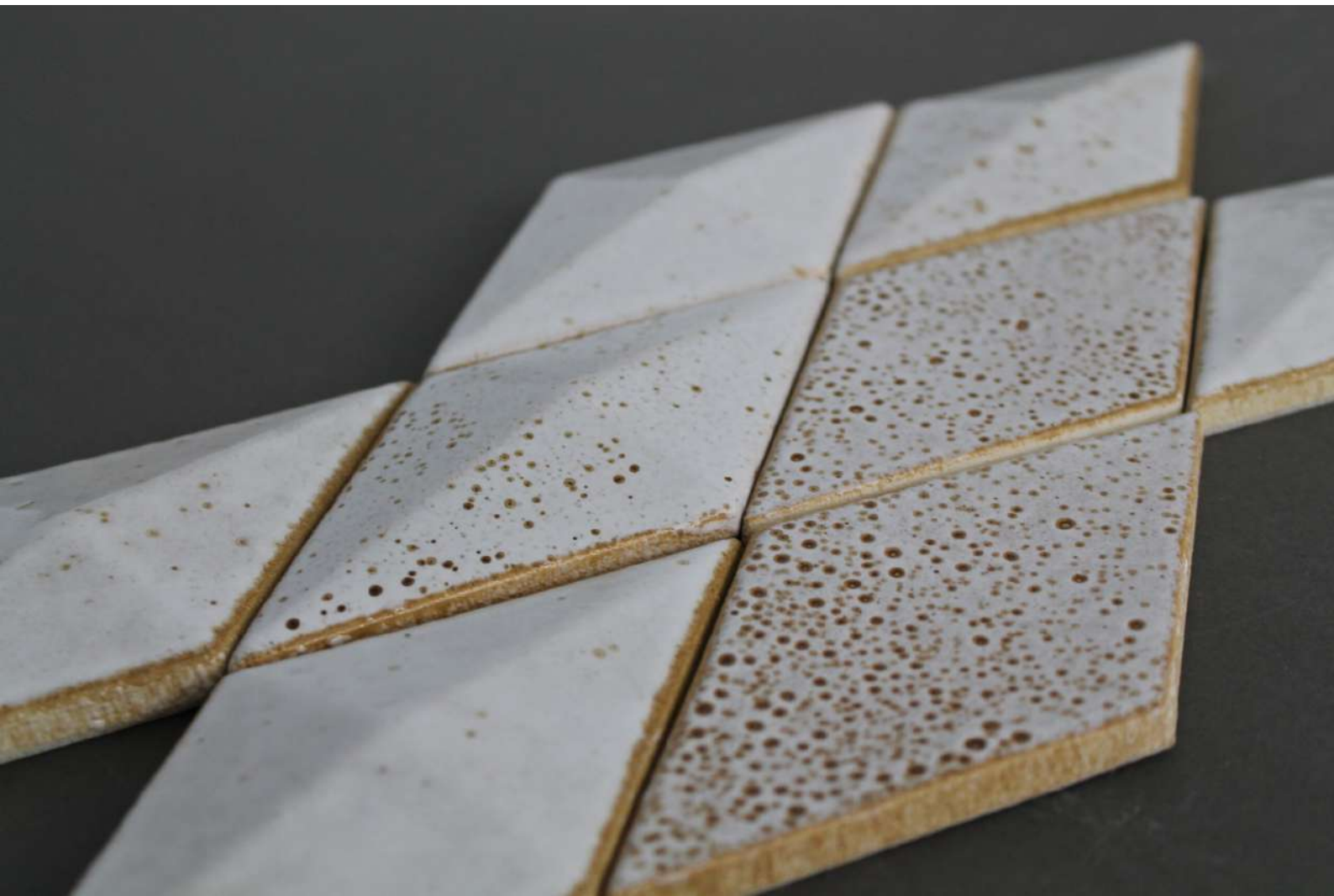
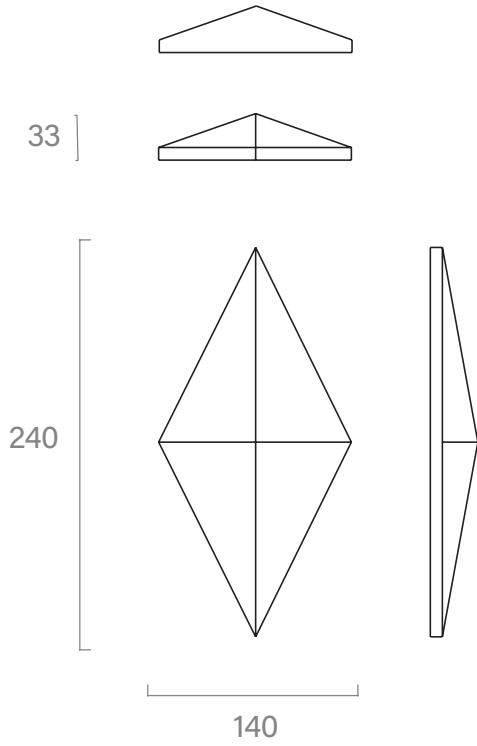


92



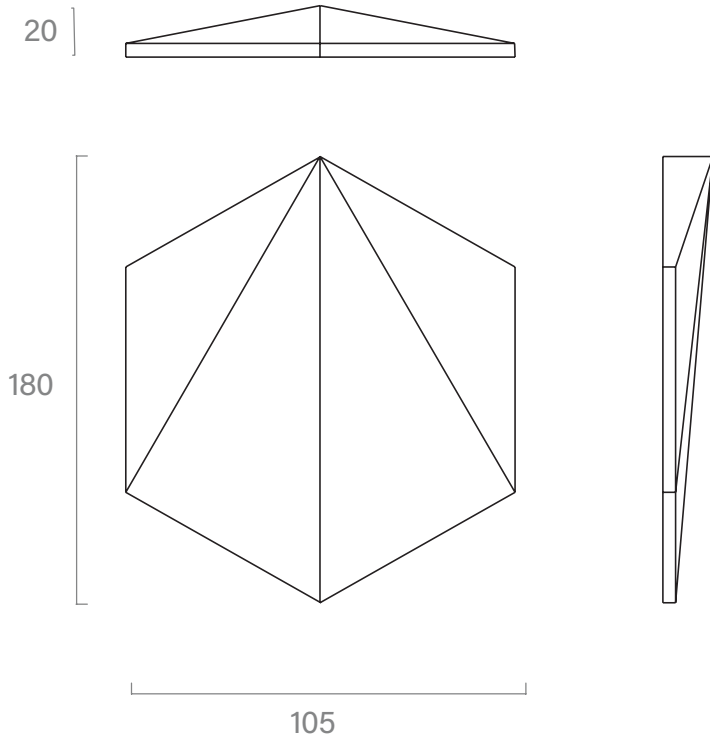


3D Sh | #3





3D Sh | #4





3D Sh | #5







31 Reighton Road
E5 8SQ
London
Uk

www.teamworkglobal.com

info@teamworkglobal.com
+44 7446 858423